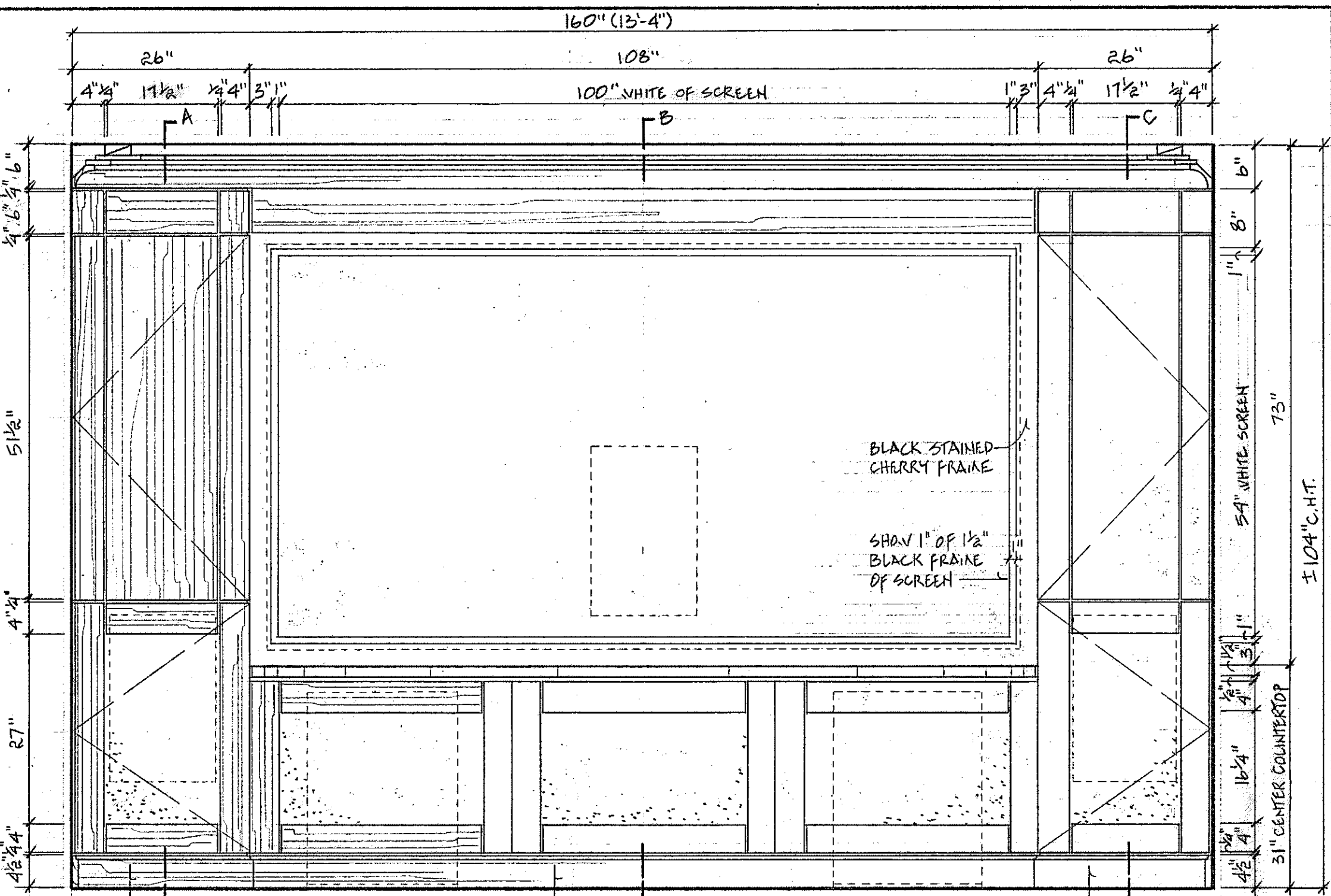
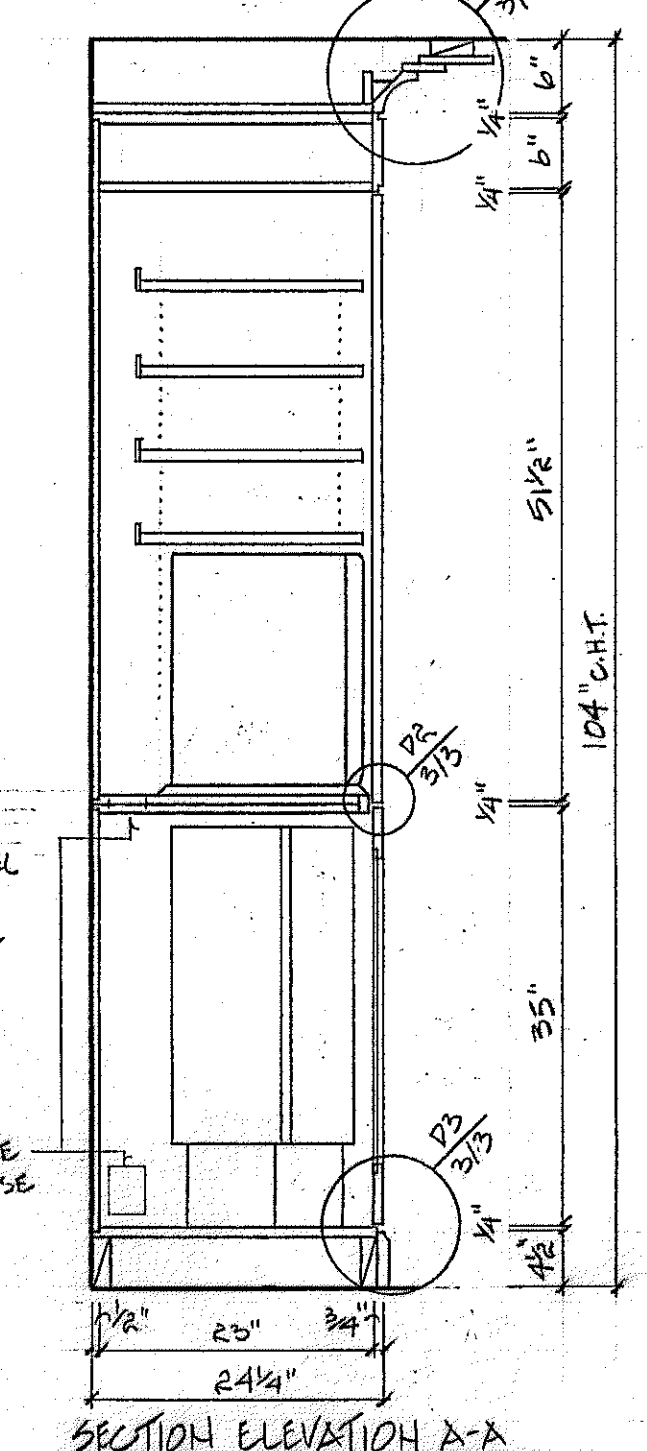


SHOWROOM THEATRE
PLAN SCALE: 1/8" = 1'-0"

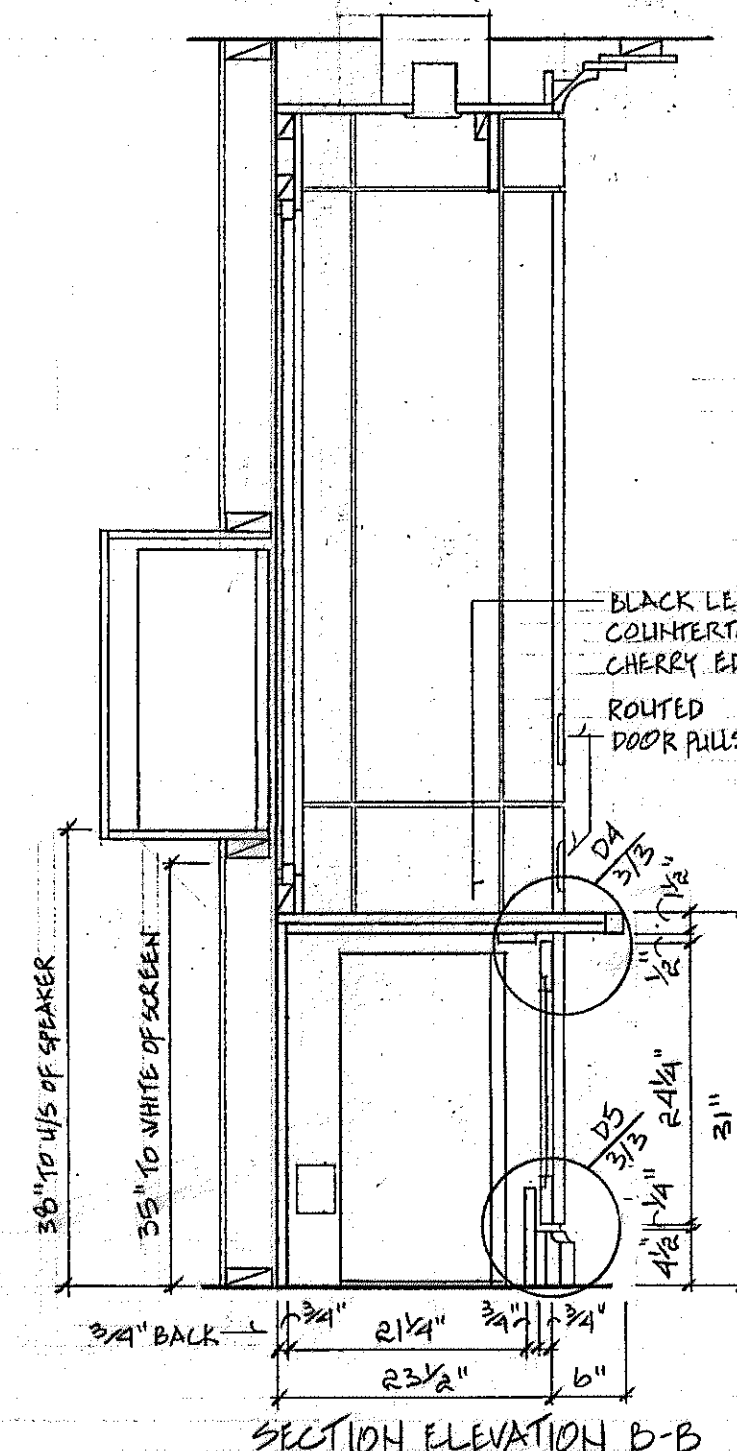


FRONT ELEVATION A
SCALE: 3/4" = 1'-0"



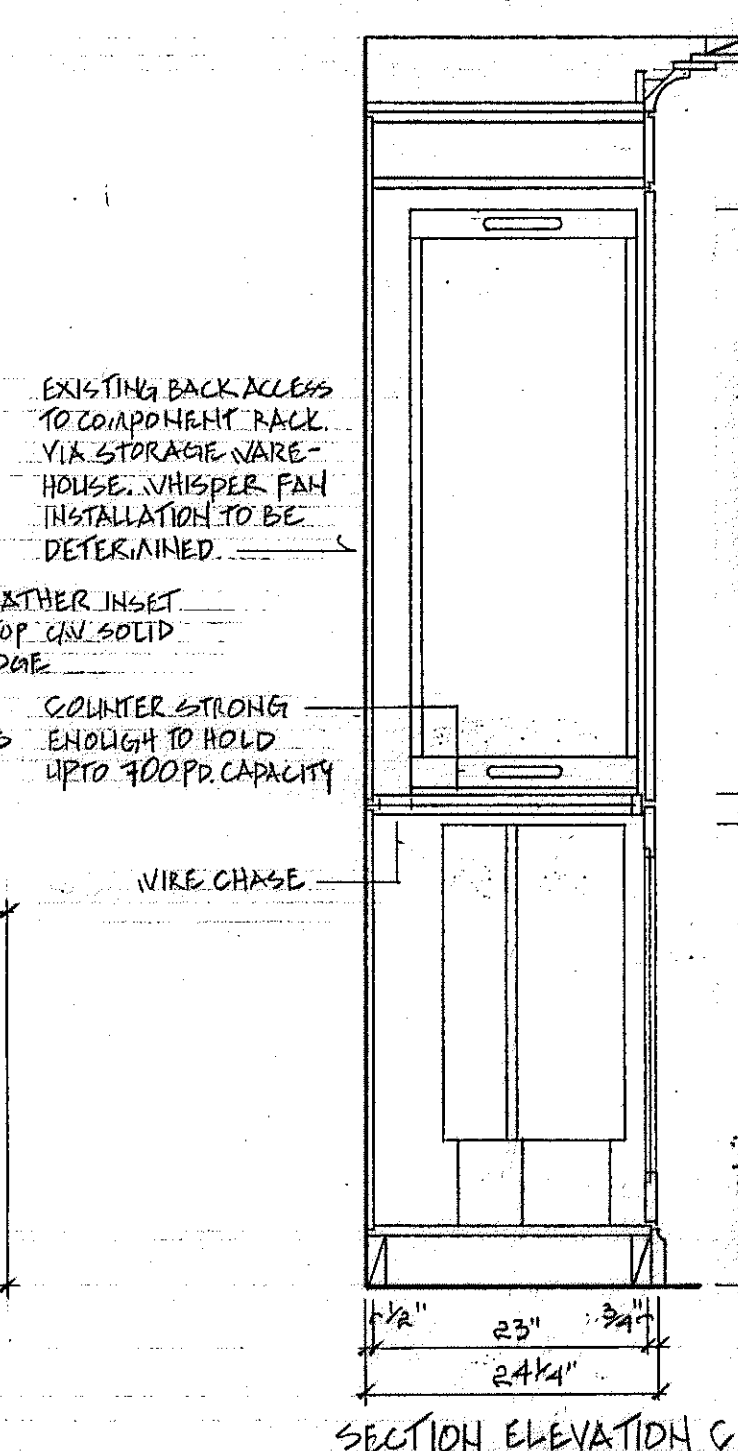
SECTION ELEVATION A-A

UPPER - STORAGE FOR CPU, KEYBOARD, VHS DISCS & CD'S ALL ON ADJ. SHELVES
LOWER - LEFT SPEAKER 15" x 10 3/4" D x 23 1/2" H C/W STAND



SECTION ELEVATION B-B

UPPER - COMPONENT RACK STORAGE 19 1/4" x 23 1/2" x 48 1/2" H O.A. C/W EXISTING ACCESS & VENTING BACK PANEL VIA STORAGE ROOM
LOWER - RIGHT SPEAKER 15" x 10 3/4" D x 23 1/2" H C/W STAND



SECTION ELEVATION C-C

LIGHTING LEGEND

- RETROFIT NEW HALOGEN POT LIGHTS, MR16 LAMPS, SPEC. TO BE DETERMINED. EXISTING CEILING POT LIGHTS TO REMAIN.
 - RETROFIT NEW INCANDESCENT FIXTURE, MED. AT 84" A.F.F. SPEC. TO BE DETERMINED.
 - HARDWIRE FOR ABOVE 3A FIXTURE.
 - EXISTING EMERGENCY LIGHT, SHIFT 1'-0" FORWARD FROM BACK WALL.
 - EXISTING FRESH AIR VENT, SHIFT 1'-0" FORWARD FROM BACK WALL.
 - NEW CLEAR ROPE LIGHT UNDER RISER MOLDING.
- SWITCHING
ALL LIGHTING CONTROLLED VIA GRAPHIC EYE.

ROOT DESIGN

SMART FX
19 EAST 5TH AVE.
VANCOUVER, B.C.
SHOWROOM THEATRE

DATE: 29 DECEMBER, 1997
SCALE: AS SHOWN
PAGE: 1 OF 3

CONTRACTORS SHALL VERIFY & BE RESPONSIBLE FOR ALL DIMENSIONS ON THE JOB & IMAGE DESIGN SHALL BE INFORMED OF ANY DISCREPANCIES SHOWN ON DRAWINGS.

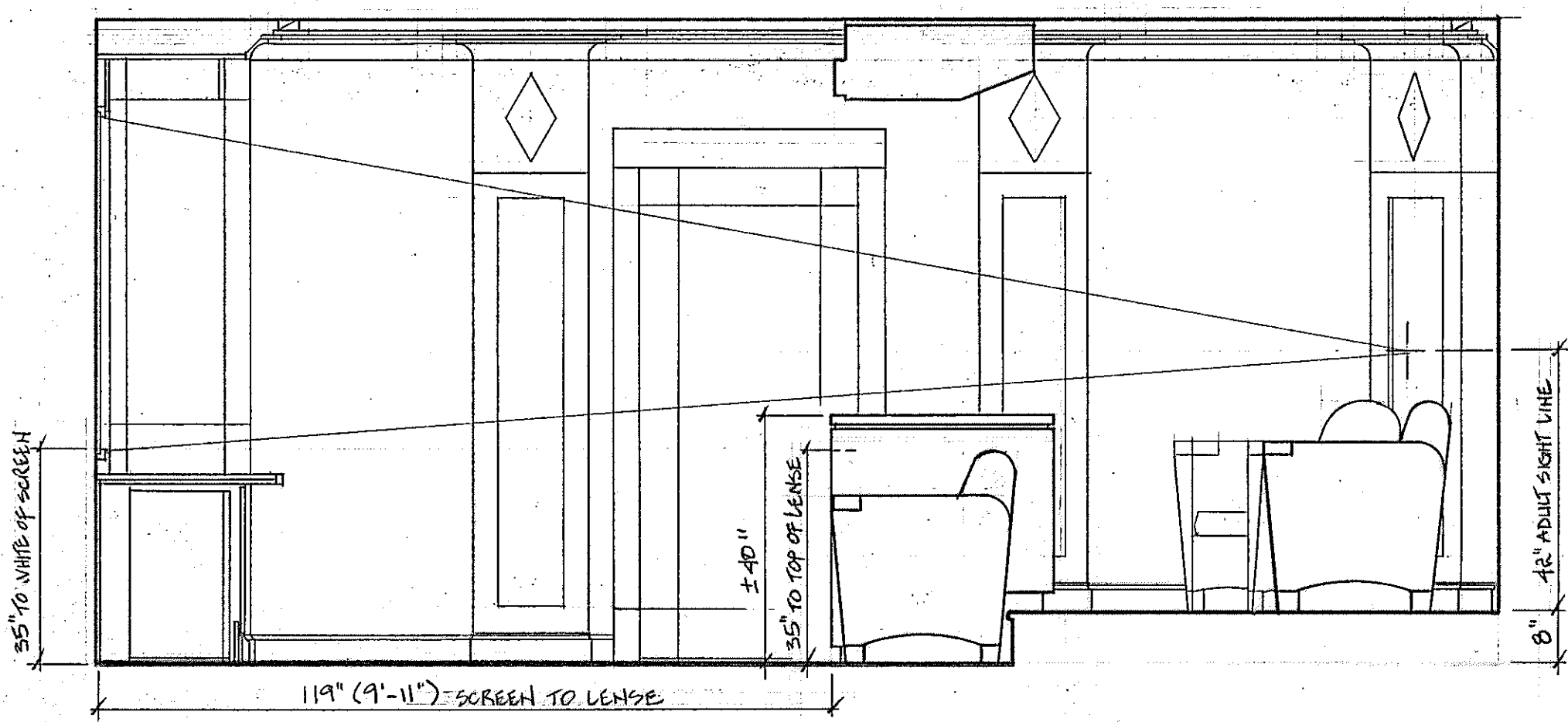
FINISHES SCHEDULE

- FLOOR COVERING
CARPET TO MATCH EXISTING

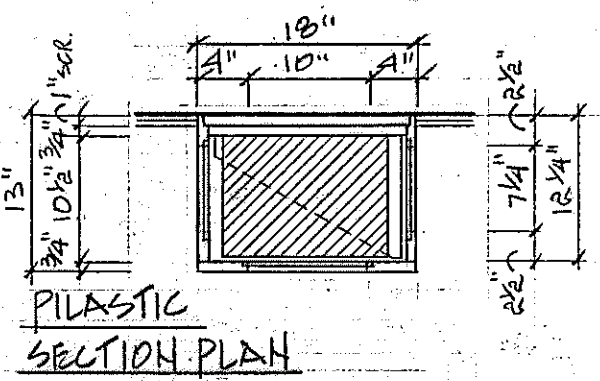
- WALLS
FLAT LATEX PAUX FINISH
RUB: BASE COAT B.I. 1536,
ADDITIONAL COLORS -
B.I. 1574 & 1575. SAMPLE
TO BE PROVIDED FOR APPROVAL
ARTIST: JOHN KEYS 733-8466

- CEILING
FLAT LATEX B.I. 1502

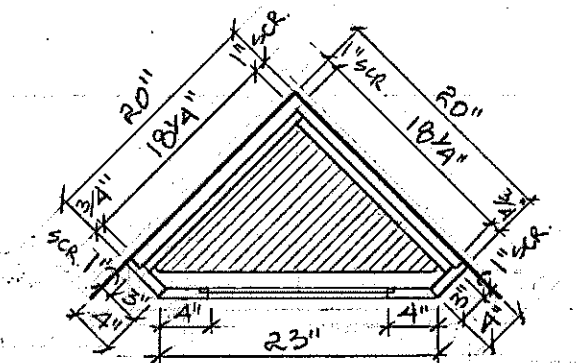
- SEATING
SIX CUSTOM LOUNGE CHAIRS,
LEATHER UPHOLSTERY, VAN-
VILLE PROJECTS, CIARRON,
BLACK OORT, SIP LEATHER
CRAIG TAYLOR 730-9894
SOLID CHERRY TAPERED
LEGS & DRINK HOLD, FLAT
LACQUER FINISH.



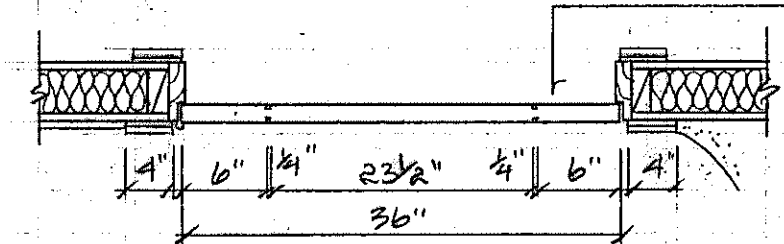
THEATRE ROOM SECTION ELEVATION
SCALE: 1/2" = 1'-0"



PILASTER SECTION PLAN

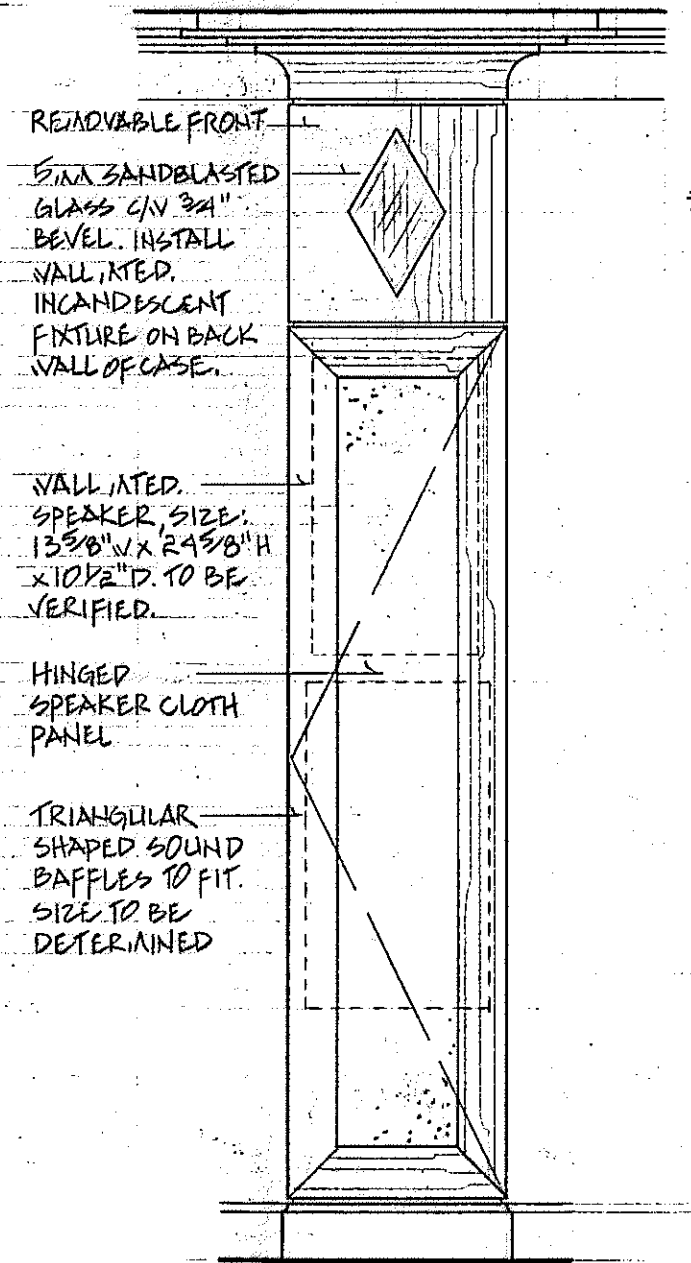


CORNER PILASTER SECTION PLAN

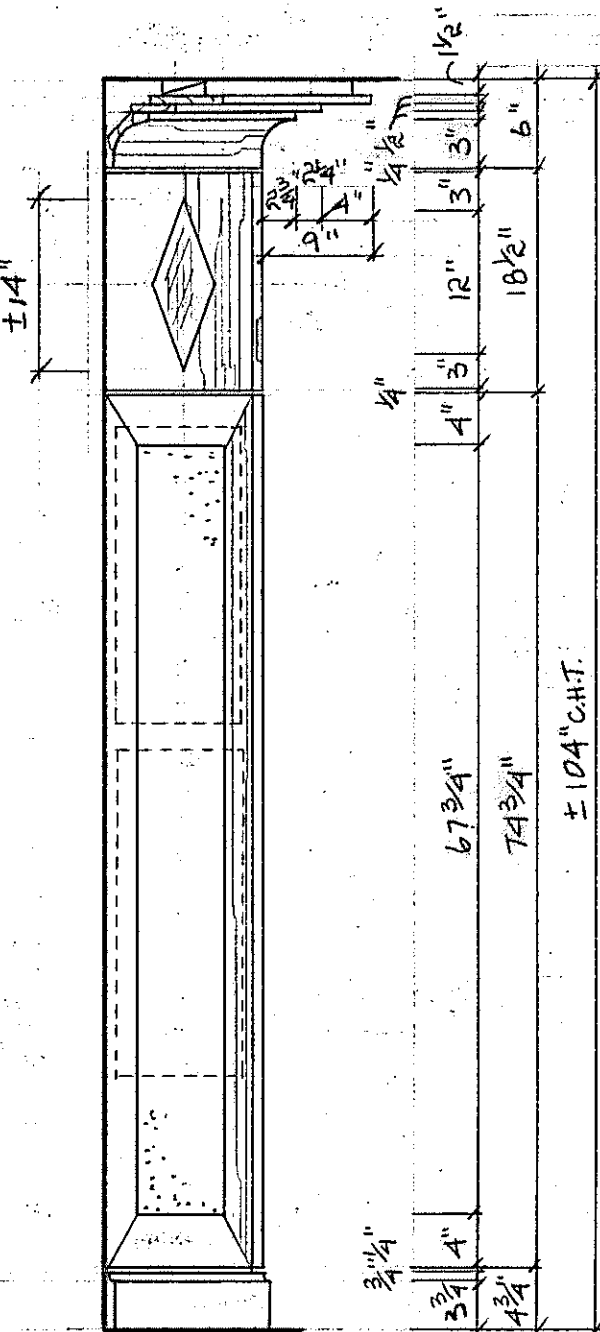


ENTRY DOOR SECTION PLAN

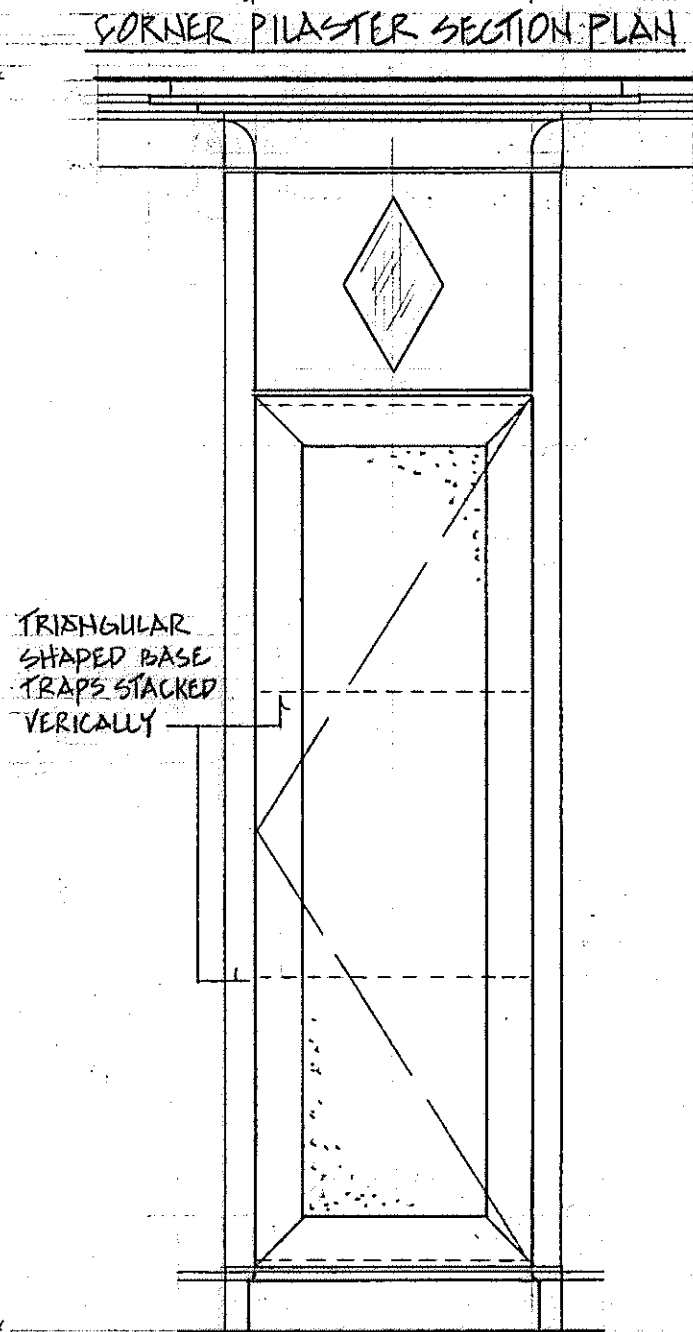
36x60x1 1/2" SOLID CORE DOOR, SOLID CHERRY
STILE & RAIL CONSTRUCTION. CHERRY EDGE
GRAIN VENEERED FLAT PANEL. 1 1/2 PR. 4" BRUSHED
CHROME BUTT HINGES, BRUSHED CHROME LEVER
LOCK SET TO BE DETERMINED (CANTU HARDWARE LTD).
INSTALL DOOR BOTTOM SWEEP FOR SOUND & LIGHT BARRIER.



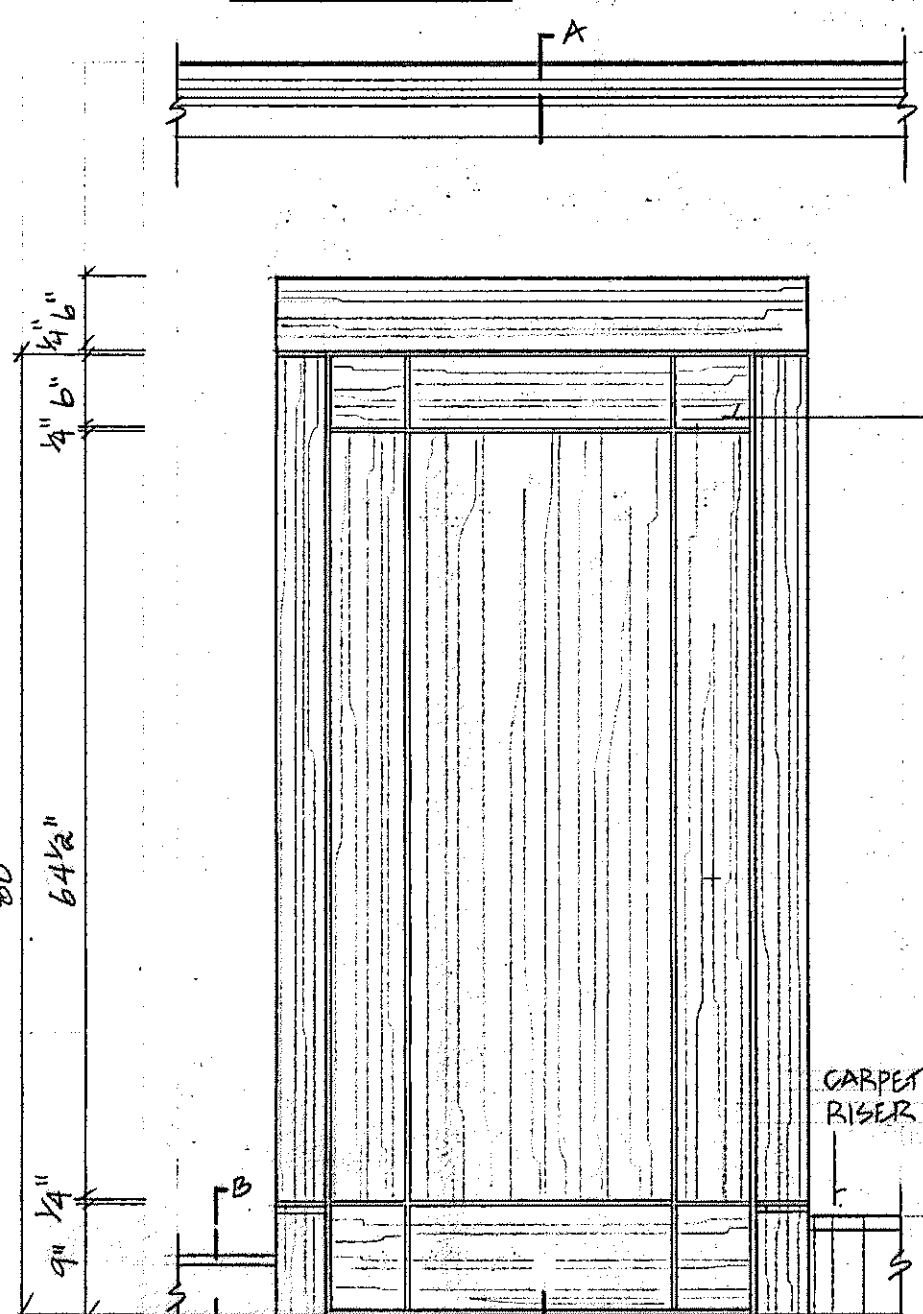
PILASTER FRONT ELEVATION SCALE: 3/4" = 1'-0"



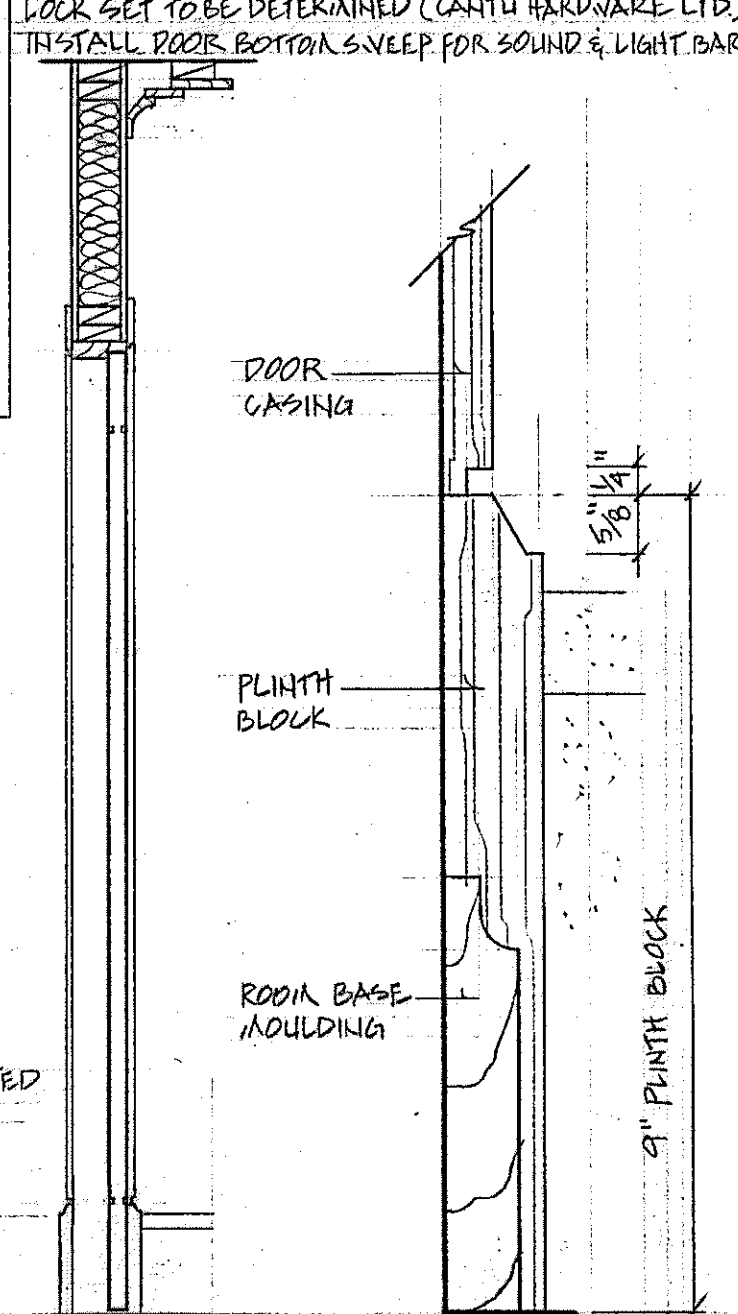
PILASTER SIDE ELEVATION



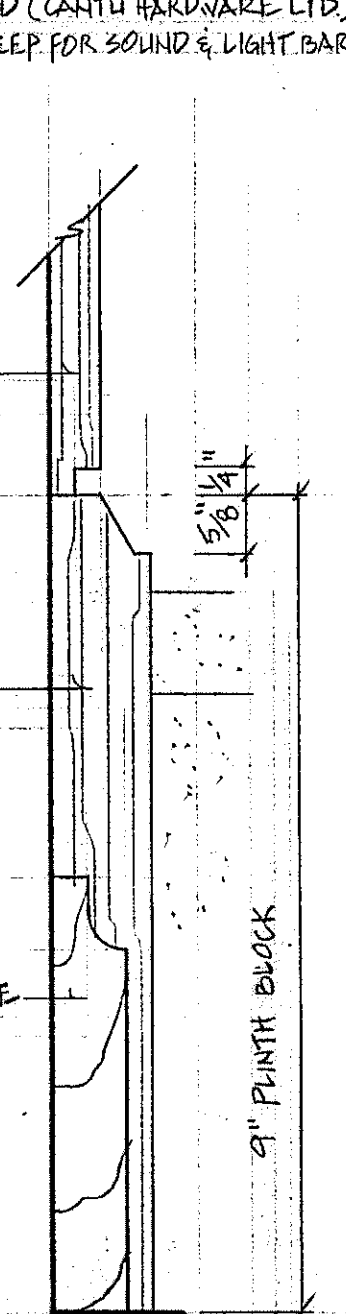
CORNER PILASTER FRONT ELEVATION



ENTRY DOOR ELEVATION



SECTION ELEVATION A-A



SECTION ELEVATION B-B SCALE: HALF F.S.

ROOT DESIGN

SMART FX
19 EAST 5TH AVE.
VANCOUVER, B.C.
-SHOWROOM THEATRE-

DATE: 29 DECEMBER, 1997

SCALE: AS SHOWN

PAGE: 2 OF 3

CONTRACTORS SHALL VERIFY & BE RESPONSIBLE FOR ALL DIMENSIONS ON THE JOB & IMAGE DESIGN SHALL BE INFORMED OF ANY DISCREPANCIES SHOWN ON DRAWINGS.

